









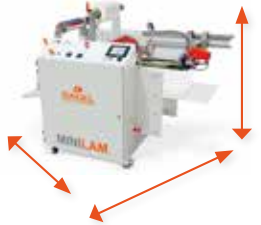


COMPATIBILITY TABLE:	
	DocuPrint™ 155MX, 180, 135MX, 115MX, DocuTech™ 155, iGen®150, 8250, iGen®4, iGen®45800i/1000i, Versant® 2100, 80, J75, C60/C70 and previous models.
	Bizhub PRESS C8000e, C700, C7000P, C6000, C1100, C1085, C1070, C1070P, C1060, C70hc, 2250P, 1250, 1250P, 1052 and previous. Bizhub PRO C6000, C6000L, C1070, C1060, C1060L and previous.
	imagePRESS C800, C700, C600I, C7011VP, C7011VPA, C6011VP, C6011VPS, C6011S, C6011, C700VPe, imageRUNNER ADVANCE c9280 PRO, C9070 PRO, Océ ColorStream 3000 Twin series, JetStream Compact series, JetStream Dual series, JetStream Wide series, 2000 Flex and previous.
	C9100, C9110, Pro™ C5100S, C5110S, C7100, C7100X, C651EX, C751, C901S, C751EX, InfoPrint® 5000 Multi-Purpose Platform, General Production Platform, Volume Platform and previous.
	HP Indigo 10000, 7800, 5600, 3550, W7250, WS6600p, 30000, 20000, WS6800, WS4600 and previous.
	NEXPRESS SX, DIGIMASTER HD, VERSAMARK and PROSPER.
	Meteor DP8700 XL+, Meteor DP8700 S+, Meteor DP8700 XL+ DF Pro, JETvarnish 3D,
	Scodix Ultra, Rainbow and S Series

We offer compatibility tests on request with no questions asked. We continuously keep updating validations in current digital printing engines. **Consult us without obligations!**

CONSUMABLES:	
Laminate films:	Gloss, matt, anti-scratch, soft touch, gold/silver metallized, soft touch metallized gold/silver.
Hot stamp films:	Metallized gold/silver/color range, milky way, sparkler y crystal holograms, gloss and matt varnish.

TECHNICAL SPECIFICATIONS:	
Speed:	15 m/m* 2.500 sheets B4 / hour* 2.000 sheets SRA3 / hour*
Sheets sizes and weights:	Min: 210 x 297mm Max: 380 x 700mm 130 – 350 g/m²
Feeder system:	Pneumatic feeder with two air suction units and four frontal stops. 400 mm stack height and 100 kg capacity +/- 1 m overlap tolerance.
Lamination unit:	Thermal oil sealed heating roller. Pneumatic pressure system with a maximum force of 35,5 Newtons/mm linear. Double decurling bars systems controlled pneumatically.
Cutting unit:	Ultra-strong pneumatic micro perforator with automatic position regulation.
Safety and protection:	CE compliant, emergency stops and security sensors. Continuous equipment protection monitoring on feeding, pressure and heating systems.

* Depending on film, external conditions, paper type, weight and formats.

DIMENSIONS AND WEIGHT	
	Length: 1900mm Width: 1010mm Height: 1550mm
	480 Kg.
	230V Single Phase 13A 50 - 60Hz 3 kW



MINILAM B3

HIGH PERFORMANCE DIGITAL LAMINATOR

EASY. INNOVATIVE. VERSATILE.
MORE POWER BEHIND YOUR LAMINATION.
Design to be the fastest and easiest to use machine
With the added feature of digital hot foil stamping technology
Up to 2.500 sheets per hour



Bagel Systems, is a Spanish equipment manufacturer focused on developing and manufacturing added value laminating equipment for the graphic arts and packaging industry.

Market leader with the integration of OMRON technology for finishing equipment, Bagel Systems delivers the best offset and best digital laminating productivity ratios.



Bagel Systems is a trademark of **Bagel Systems SL**. **Bagel Systems** has a policy of continuous improvement and reserves the right to amend any above specification without prior notice



BAGEL SYSTEMS S.L.
Tirso de Molina nº 36 A, nave 3B
08940 Cornellà del Llobregat
Barcelona, Spain.

Tel **+34 934 748 023**
+34 617 085 546
info@bagelsys.com
www.bagelsys.com

The best **Heating Engine:**
THERMAL OIL FILLED ROLLER



MINILAM B3

Sometimes you need to design products from scratch, if you want to be really innovative. That is exactly what we have done! It is purposely design for the most demanding and dynamic digital environments in the market. Bagel Systems brings a new level of robustness across the whole machine and superior levels of automation. The **MINILAM B3** truly transforms lamination into a pleasant experience and is the ideal equipment to cope with the frequent job changes in a digital printing environment.

The **MINILAM B3** offers new technologies like digital hot stamping, which resembles foil stamping with metallic foils, holographic foils, flood varnish and spot varnish. The machine will be the fastest and easiest to use machine in its class.

APPS

Book Covers // Photo book // Menus // Sport cards // Visit cards // Catalogues // Adverts // Greetings cards // Kid's book // Graphic supports // Luxury bags // Sales docs // Posters.

And also now: Cosmetic packaging // luxury products packaging // anti-bacterial hospital material packaging.

ADVANTAGES



Superior quality

The **MINILAM B3** offers best-in-class laminating technology and unmatched consistency of the finished product. The use of oil heated rollers ensure the best distribution of heat and temperature retention across the whole surface.



Versatile

With a speed up to 2.500 sheets an hour, **MINILAM B3** stands out its double film changer which allows two film reels at the same time and its liftable feeder perfect for short runs and sheet formats out of specifications.



The best equipment for SoftTouch and Hot Stamp

Bagel Systems and *Soft Touch* films, combines resources to deliver the best solutions on current digital print engines.

We also integrate and develop latest technologies on *digital Hot Stamp*.



SoFT TOUCH®

The Original One



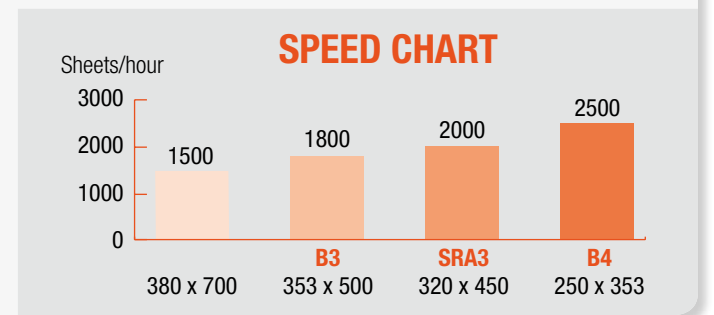
Easy to use

The machine is controlled by a touch screen. The **MINILAM B3** offers an Auto Start function, a fast film loading system, multi safety monitoring program and automatic temperature regulation. This all ensures a rapid start up procedure and quick operation.



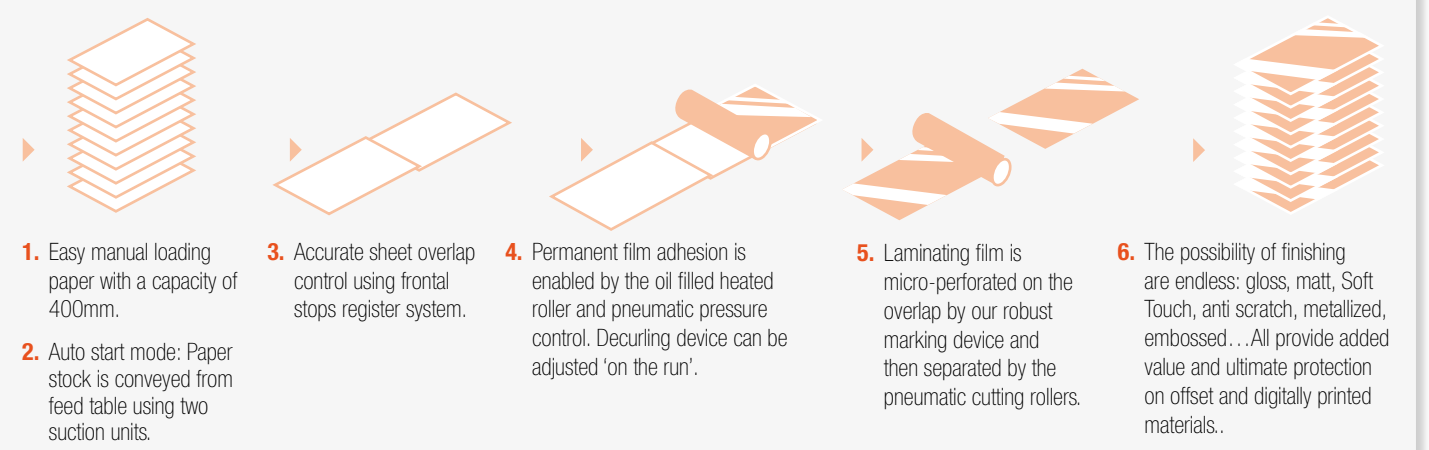
Robust

With its solid steel base and tower construction, **MINILAM B3's** rollers calibration is lifetime guaranteed. Its pressure of 35,5 Newton's/mm linear is testament to its astonishing power.



Speed 2.000 SRA3/hr	Speed 15 m/min	Load 400 mm	130 - 350 g/m ²	Max. Format 380 x 700 mm	Min. Format 210 x 297 mm
Touch screen	35 N/mm Linear	Heating roller	Extra blowers on entry	Blowers on exit	Auto mode

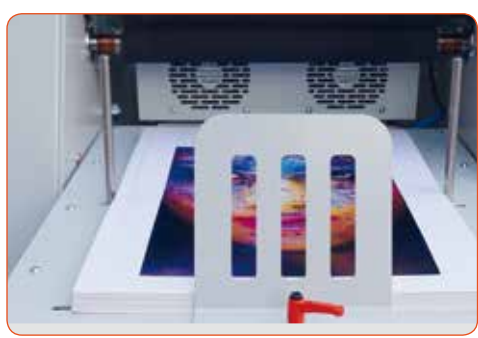
MINILAM B3 Work flow



Feeding module.



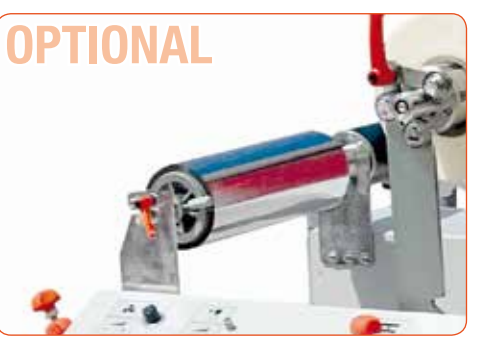
Laminating module.



Delivery table with air fans.



Table jogger.



Hot stamp: Multifunctional devise that allows varnish, holograms finishing as well as gold, silver and wide variety of metallic colours foiling effect.



Double side lamination module